

Storm Lake Marina
Dock Installation and Site Repairs
Buena Vista County, IA
PROJECT NUMBER: 23-01-11-01

October 14, 2022

This Addendum is issued to modify, explain or correct the original Drawings and Specifications, and is hereby made a part of the Contract Documents. Please attach this Addendum to the Project Manual in your possession. Insert the number and issue date of this Addendum in the blank space provided on the Proposal Form.

Plans:

- A. Refer to the attached addendum prepared by KCL Engineering for more information regarding the electrical to the docks and location of the power pedestals on the docks.

Clarifications:

- A. Contractor shall provide all electrical materials including the power pedestals on the dock. Only the dock structures, gangways, and accessories relating to the docks are provided by the DNR.
- B. Attached are the drawings provided by EZ Docks of the material provided for installation.

300 4th Street
West Des Moines, IA 50265
515.724.7938

312 NW 10th Ave., Suite 100
Portland, OR 97209
503.212.4612

4014 N. Goldwater Blvd., Suite 203
Scottsdale, AZ 85251
480.666.0767

296 E. 5th Ave., Suite 501
Eugene, OR 97401
541.729.7645

CONSULTING ENGINEERS

Mechanical
Electrical
Plumbing
Lighting
Technology

IDNR – Ryan Richey
Storm Lake Marina
Addendum #1
October 14, 2022

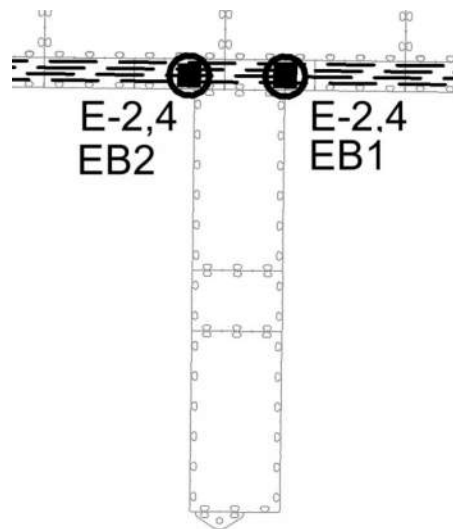
This addendum is issued to modify, clarify, or amend the original Project Drawings and Specifications and is hereby made part of the Contract Documents. The Contractor shall be responsible for incorporating items in this Addendum to the Work. The following shall take precedence over anything to the contrary in the Drawings or Specifications.

Electrical Specifications:

N/A

Electrical Drawings:

1. Drawings E2,E3 AND E4 ENLARGED DOCK PLANS
 - a. TYPICAL CLARIFICATION dock power pedestals shall be installed along main dock section and not on slip docks. See reference typical location below. Coordinate final location with Owner and EZ Dock Shop drawings provided by Owner.



Electrical – Approved Manufacturers:

The following shall be added to specifications as approved manufacturers:

Light Fixture Type

N/A

Manufacturer

End of Electrical Addendum.

Iowa DNR- Storm Lake Marina Dock Proposal

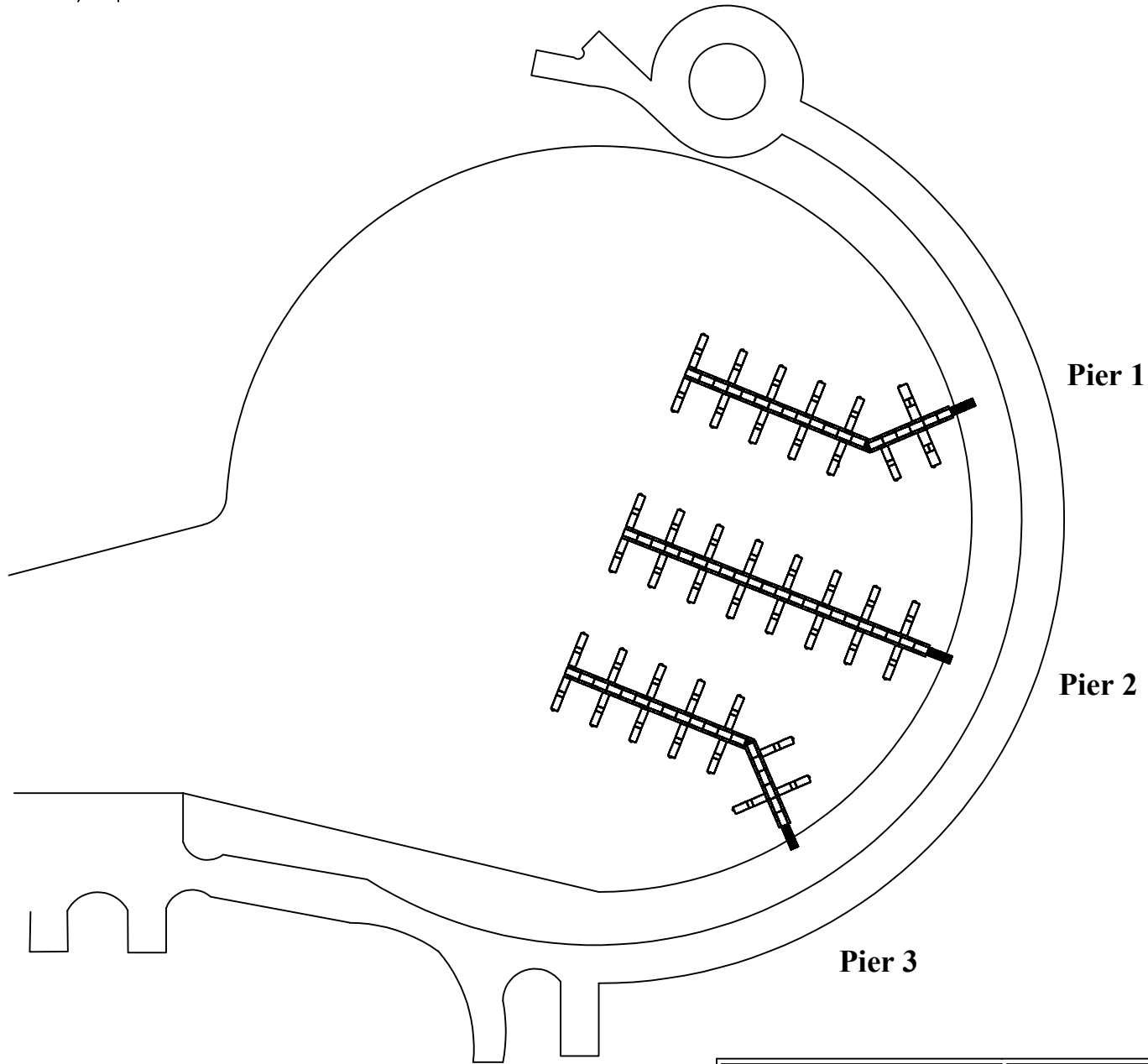


IOWA DEPARTMENT OF
NATURAL RESOURCES





Dock Live Load of 62.5 lbs/sqft

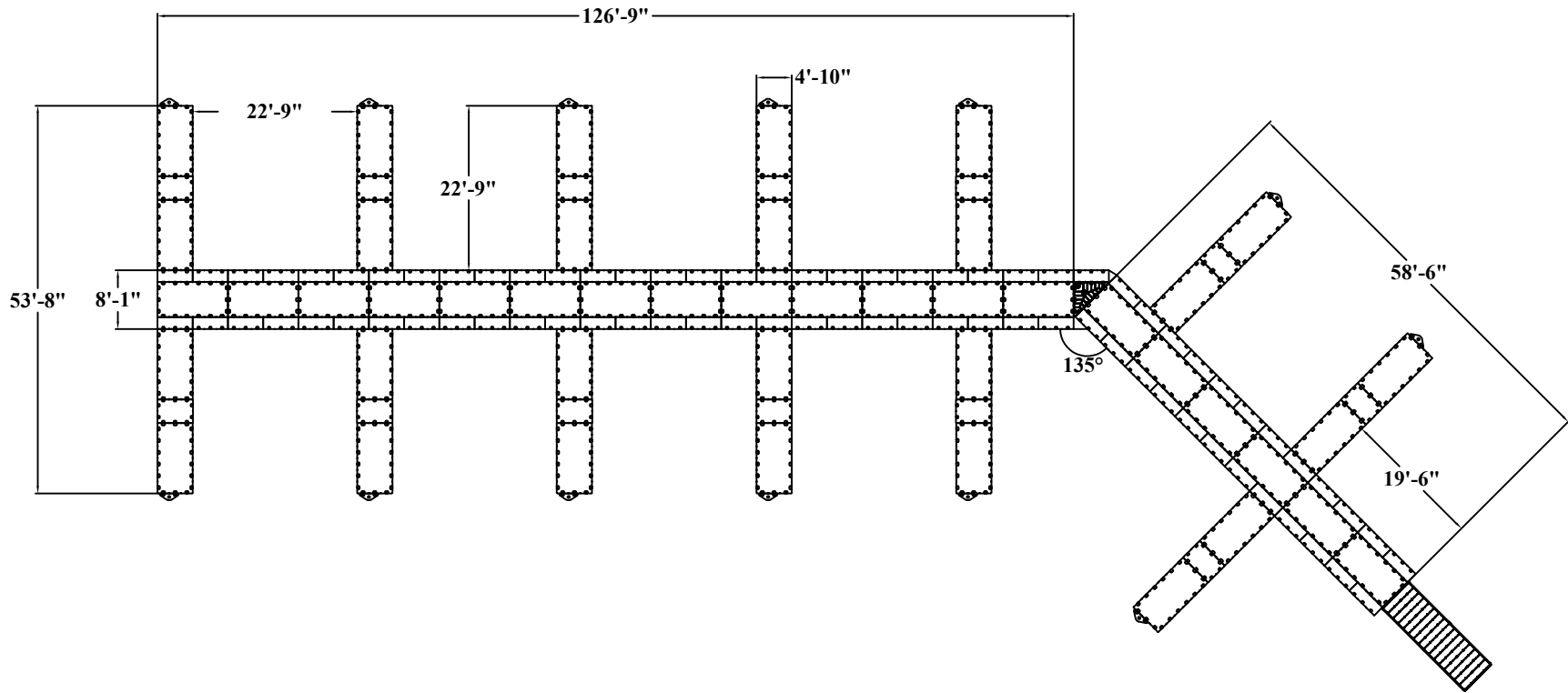


NOTICE! Read EZ Dock Limited Warranty carefully. Among other things, EZ Dock does not warrant damages, failures or defects caused by unauthorized modification of EZ Dock Product, and/or unauthorized attachment to/of EZ Dock Product.

Storm Lake Layout		EZ Dock, Inc	
PREPARED FOR Justin Lance		878 Highway 60 Monett, MO 65708	
DRAWING NUMBER EZ7271 REV-B		TOLL FREE NO. 1-800-654-8168 PHONE NO. (417) 235-2223	
DRAWN BY DSL	DATE 8/8/22	FAX NO. (417) 235-2232	



Dock Live Load of 62.5 lbs/sqft

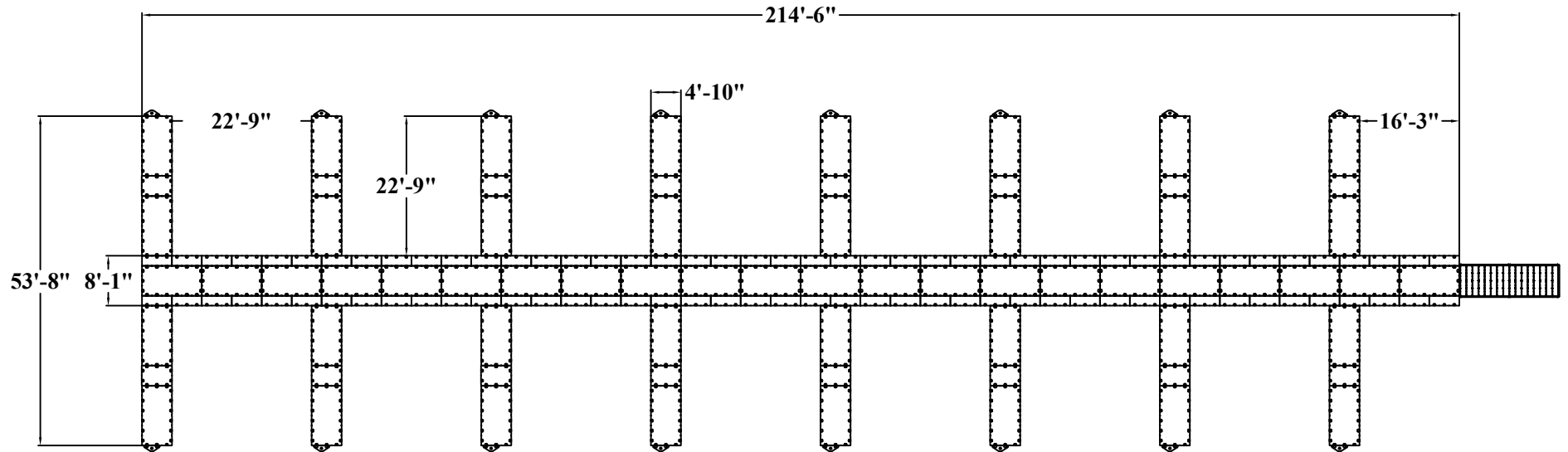


NOTICE! Read EZ Dock Limited Warranty carefully. Among other things, EZ Dock does not warrant damages, failures or defects caused by unauthorized modification of EZ Dock Product, and/or unauthorized attachment to/of EZ Dock Product.


Storm Lake Pier 3		EZ Dock, Inc	
PREPARED FOR Justin Lance		878 Highway 60 Monett, MO 65708	
DRAWING NUMBER EZ7268		TOLL FREE NO. 1-800-654-8168 PHONE NO. (417) 235-2223	
DRAWN BY DSL	DATE 7/26/22	FAX NO. (417) 235-2232	



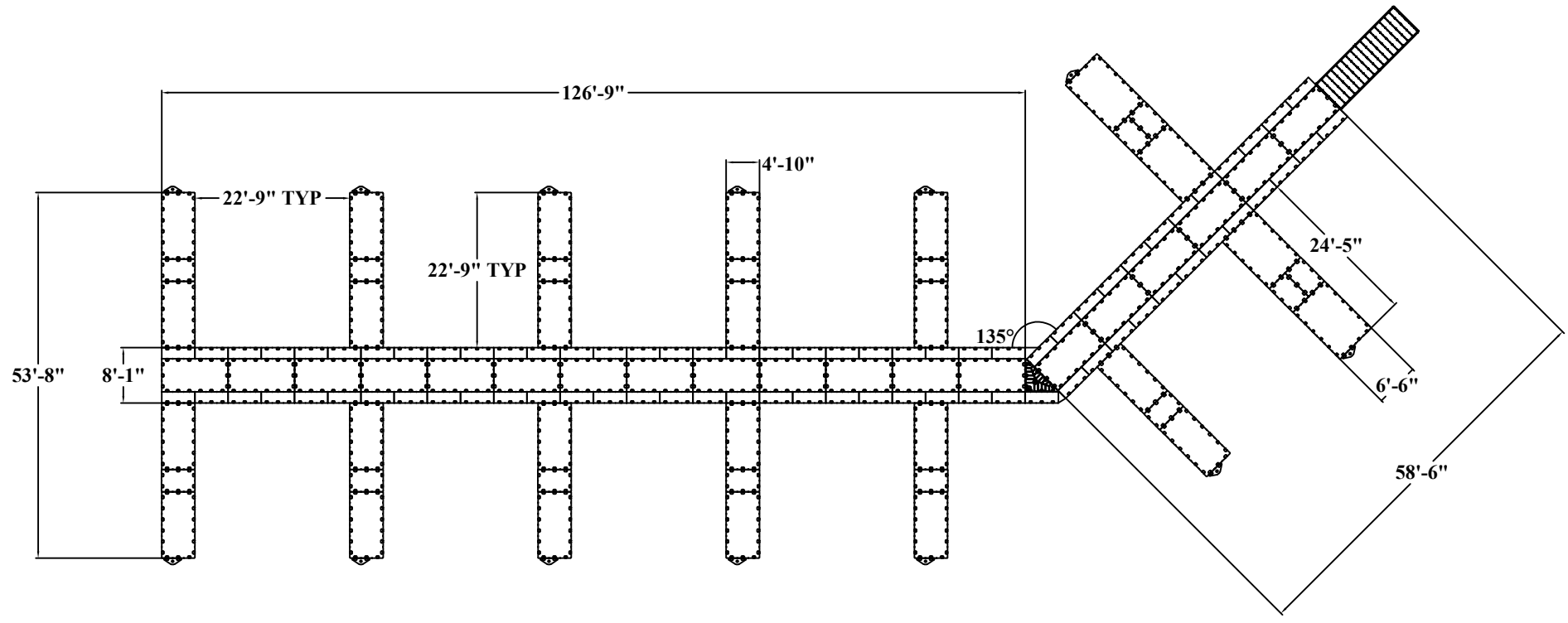
Dock Live Load of 62.5 lbs/sqft




NOTICE! Read EZ Dock Limited Warranty carefully. Among other things, EZ Dock does not warrant damages, failures or defects caused by unauthorized modification of EZ Dock Product, and/or unauthorized attachment to/of EZ Dock Product.

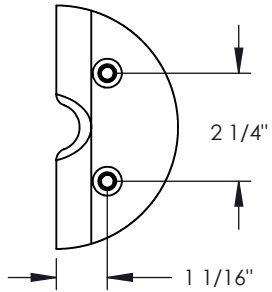
Storm Lake Pier 2		EZ Dock, Inc	
PREPARED FOR Justin Lance		878 Highway 60 Monett, MO 65708	
DRAWING NUMBER EZ7269		TOLL FREE NO. 1-800-654-8168 PHONE NO. (417) 235-2223	
DRAWN BY DSL	DATE 7/26/22	FAX NO. (417) 235-2232	
			

Dock Live Load of 62.5 lbs/sqft



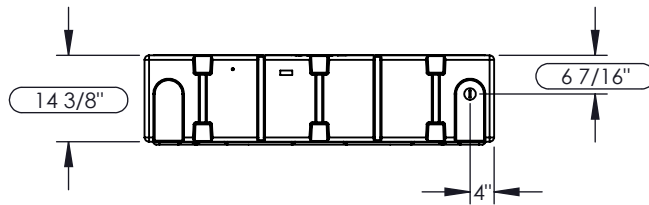
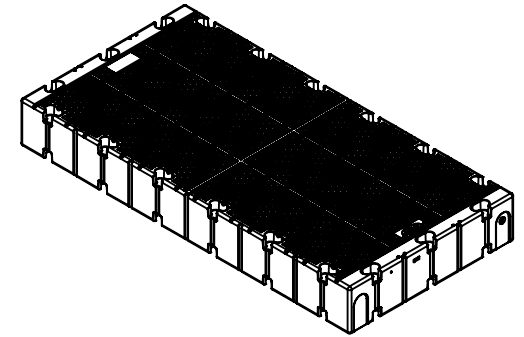
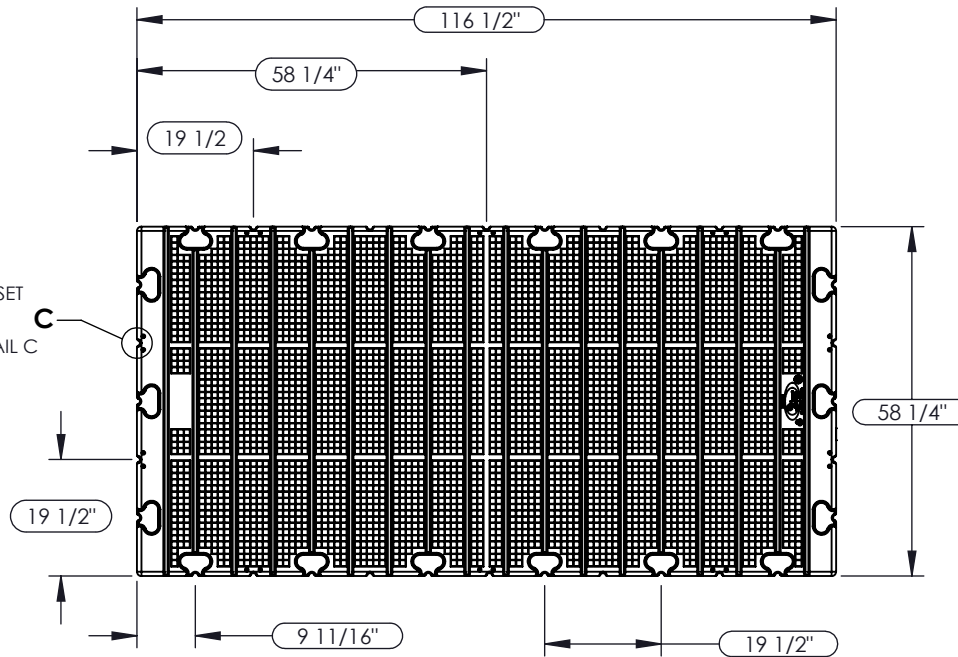
NOTICE! Read EZ Dock Limited Warranty carefully. Among other things, EZ Dock does not warrant damages, failures or defects caused by unauthorized modification of EZ Dock Product, and/or unauthorized attachment to/of EZ Dock Product.

Storm Lake Pier 1		EZ Dock, Inc	
PREPARED FOR Justin Lance		878 Highway 60 Monett, MO 65708	
DRAWING NUMBER EZ7270 REV-B		TOLL FREE NO. 1-800-654-8168 PHONE NO. (417) 235-2223	
DRAWN BY DSL	DATE 8/8/22	FAX NO. (417) 235-2232	
			




DETAIL C
SCALE 1 : 4

5/16-16NC T-NUT SET
10 PL
AS SHOWN IN DETAIL C

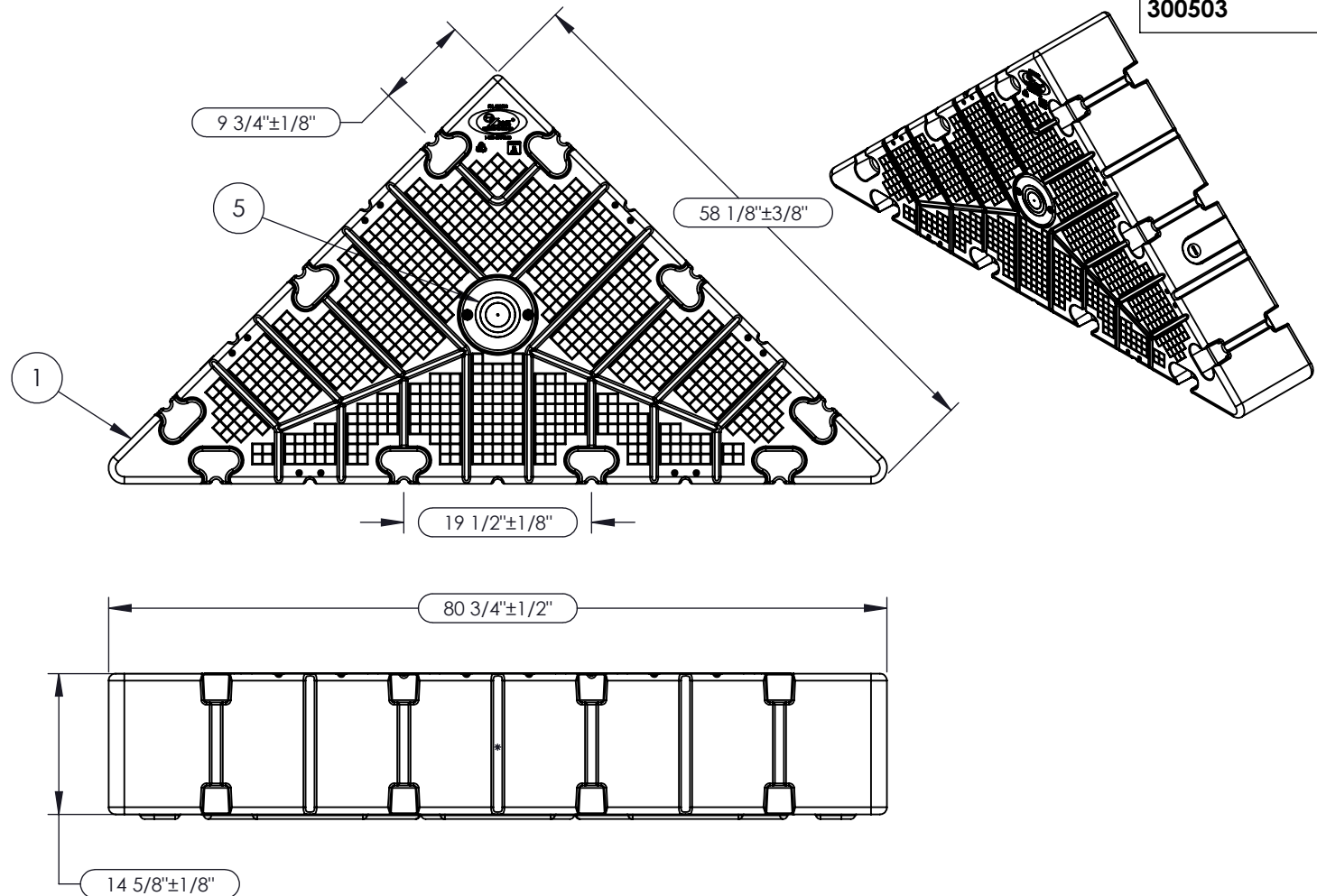


NOTE: DIMENSIONS SHOWN ARE FOR REFERENCE USE ONLY.


NAME: 206010
REVISION: C
VERSION:
CURRENT ECR: CURRENT ECR
RELEASE LEVEL:

 EZ Dock, Inc. 878 E. Highway 60 Monett, MO 65708		1-888-654-8168 FX 1-417-235-2232	
		DESCRIPTION DOCK SECTION 60" X 120"	WT 270
MTL: LOW DENSITY POLYETHYLENE NATURAL COLOR	FINISH	PART NO. 206010	REV.
RAW MATL:	BLANK SIZE		

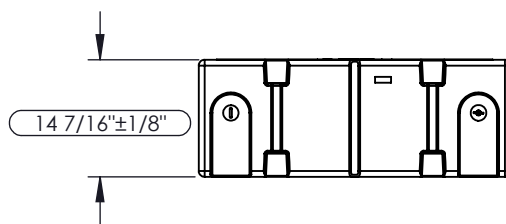
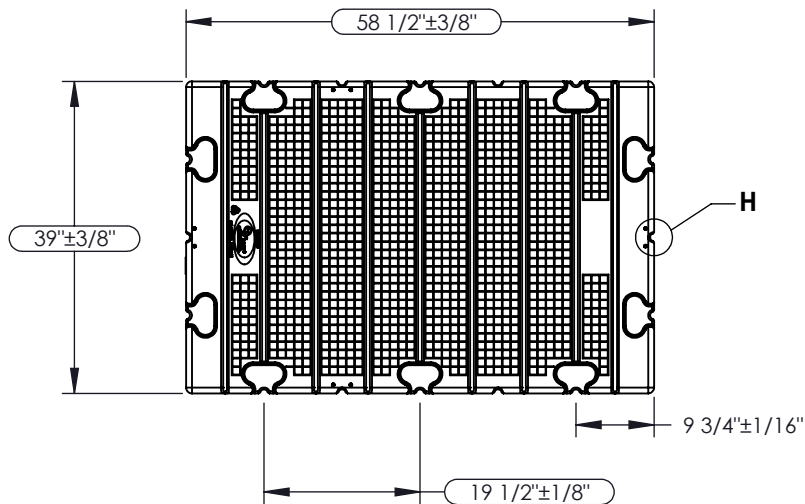
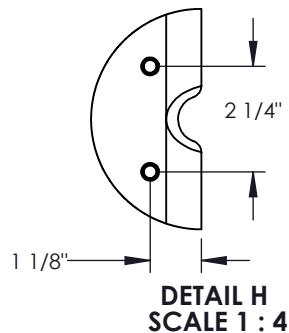
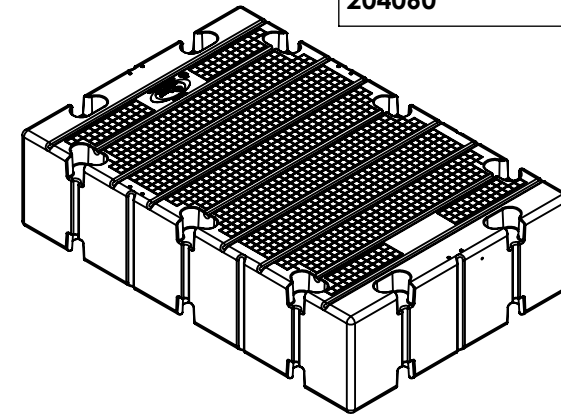
300503




NAME: 300503
 REVISION: B
 VERSION:
 CURRENT ECF: CURRENT ECF
 RELEASE LEVEL:

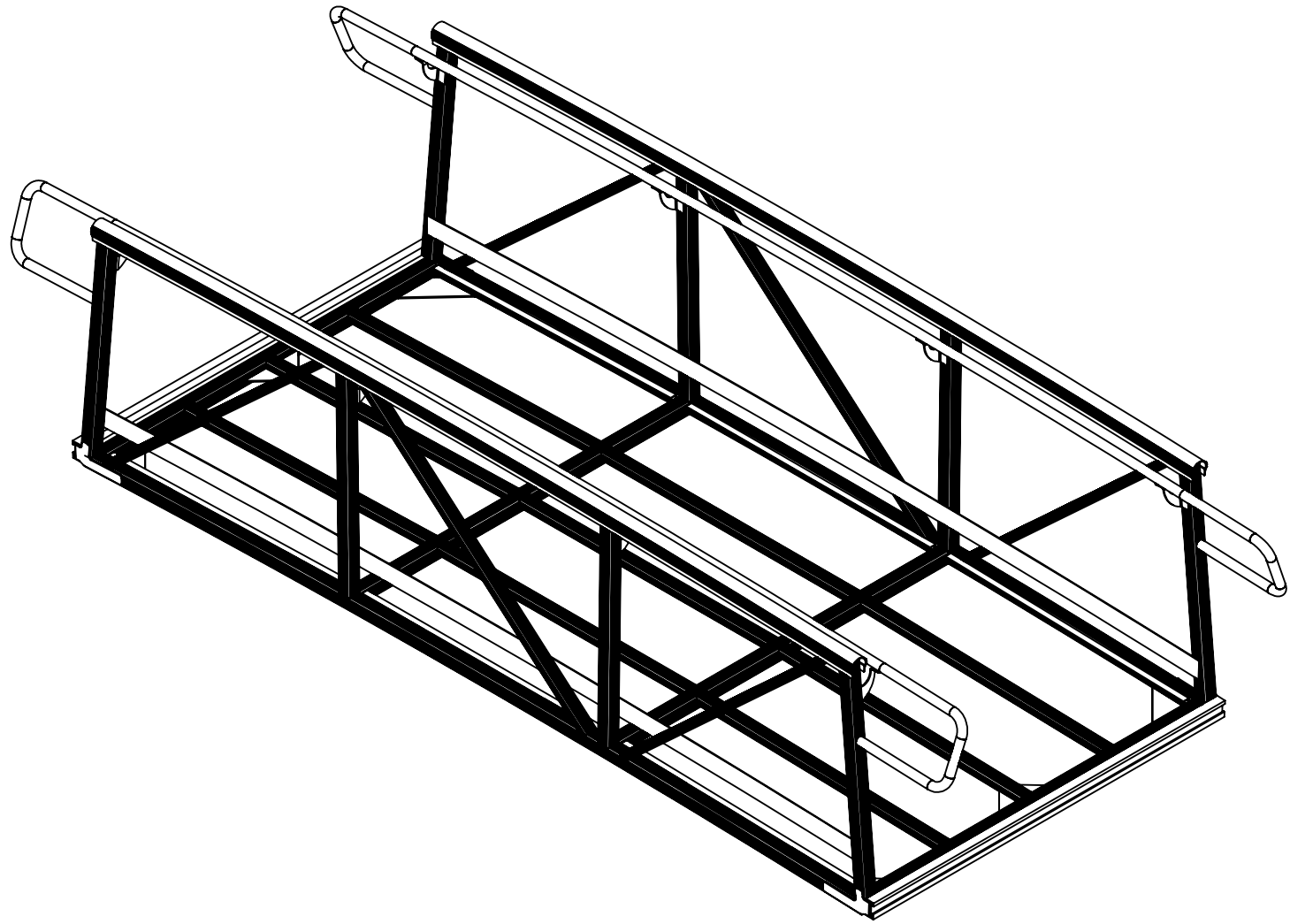
TOLERANCES <small>(UNLESS OTHERWISE NOTED)</small> \angle $\pm 1^\circ$ X/Y $\pm 1/16$ X ± 0.125 X.X ± 0.063 X.XX ± 0.031 X.XXX ± 0.016		 EZ Dock, Inc. 878 E. Highway 60 1-888-654-8168 Monett, MO 65708 FX 1-417-235-2232	
DESCRIPTION TRI-DOCK, 60" X 60", STD W/ COVER		WT. LBS. 80	
MATL: 120221		DWN BY: ATW DATE: 04JAN18	CKD BY: CW DATE: 04JAN18
RAW MATL: BLANK SIZE		SHEET: 1 OF 1	
ALL BENDS 90° ALL BEND RADII EQUAL TO MATERIAL GAUGE		PART NO. 300503 REV. B	

204060



NAME: 204060
 REVISION: J+
 VERSION:
 CURRENT ECR: CURRENT ECR
 RELEASE LEVEL:

TOLERANCES <small>(UNLESS OTHERWISE NOTED)</small> / ±1° X ±0.125 X/Y ±0.063 X.XX ±0.031 X.XXX ±0.016 ALL BENDS 90° ALL BEND RADII EQUAL TO MATERIAL GAUGE	 EZ Dock, Inc. 878 E. Highway 60 1-888-654-8168 Monett, MO 65708 FX 1-417-235-2232	
	DESCRIPTION EZ DOCK 40" X 5' DOCK SECTION	WT LBS. 95
MATL: 120221CSN LLDPE	DWN BY: TDO DATE: 5/12/00	CKD BY: DRI DATE: 9/28/10
RAW MATL: BLANK SIZE	FINISH:	SHEET: 1 OF 1
	PART NO.	REV.
	204060	J



2

1

B

B

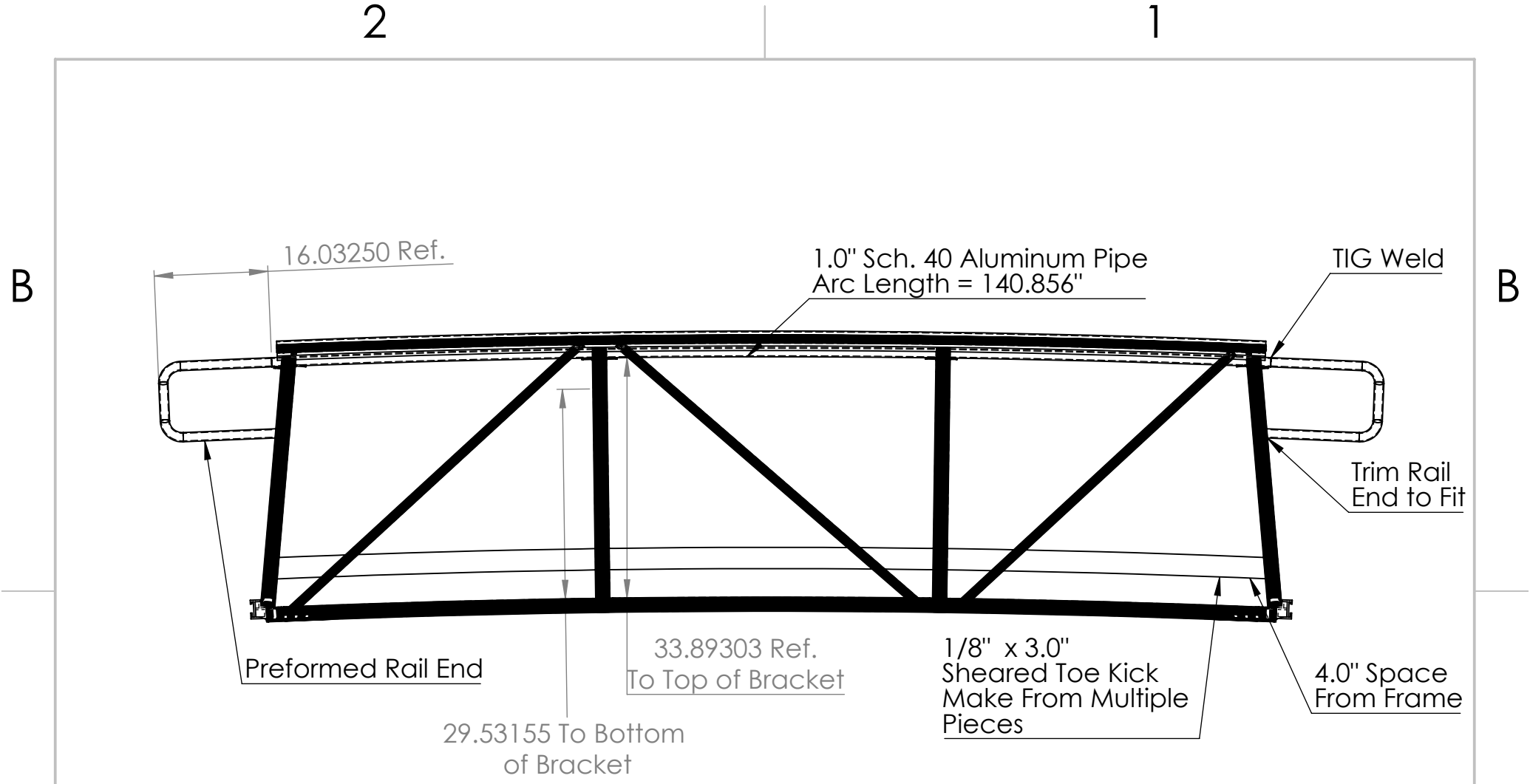
A

A

5ft x 16ft Gangway w/ ADA

2

1



<p>PROPRIETARY AND CONFIDENTIAL</p> <p>THE INFORMATION CONTAINED IN THIS DRAWING IS THE SOLE PROPERTY OF <INSERT COMPANY NAME HERE>. ANY REPRODUCTION IN PART OR AS A WHOLE WITHOUT THE WRITTEN PERMISSION OF <INSERT COMPANY NAME HERE> IS PROHIBITED.</p>			UNLESS OTHERWISE SPECIFIED:		NAME	DATE	TITLE:
			DIMENSIONS ARE IN INCHES	DRAWN			
			TOLERANCES:	CHECKED			
			FRACTIONAL ±	ENG APPR.			
			ANGULAR: MACH ± BEND ±	MFG APPR.			
		TWO PLACE DECIMAL ±	Q.A.				
		THREE PLACE DECIMAL ±	COMMENTS:				
		INTERPRET GEOMETRIC TOLERANCING PER:					SIZE DWG. NO. REV
		MATERIAL					5 x 12 Gangway W_A ADA
	NEXT ASSY	USED ON	FINISH				SCALE: 1:500 WEIGHT: SHEET 2 OF 2
		APPLICATION	DO NOT SCALE DRAWING				

2

1

B

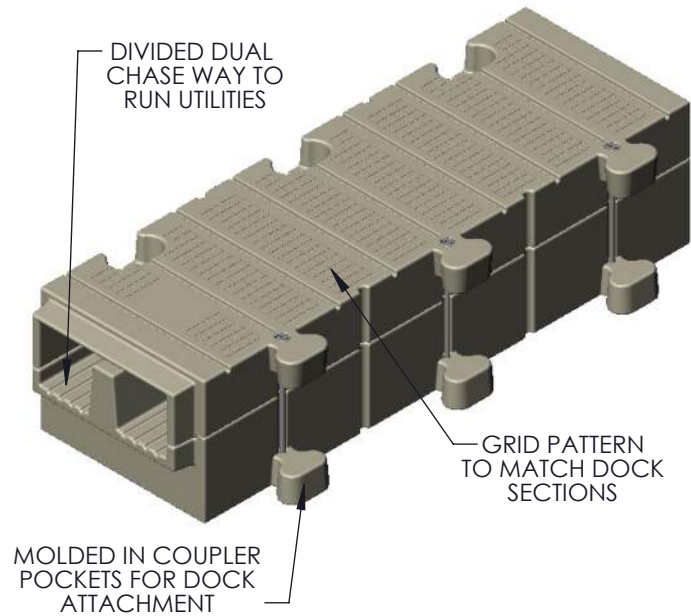
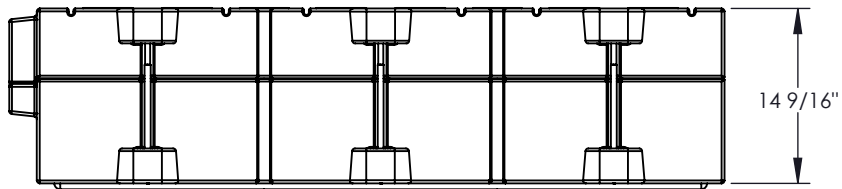
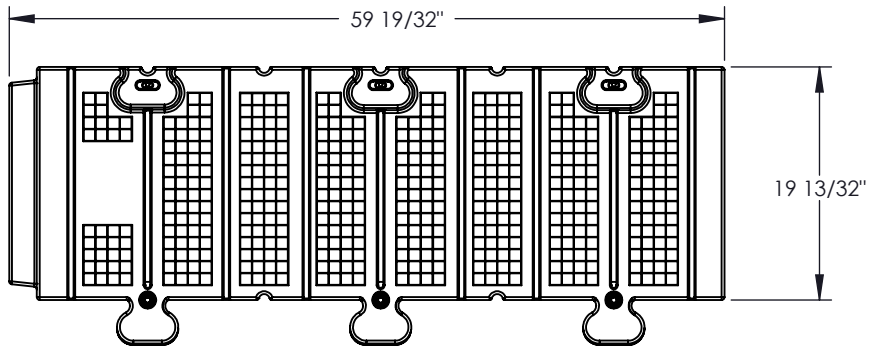
B

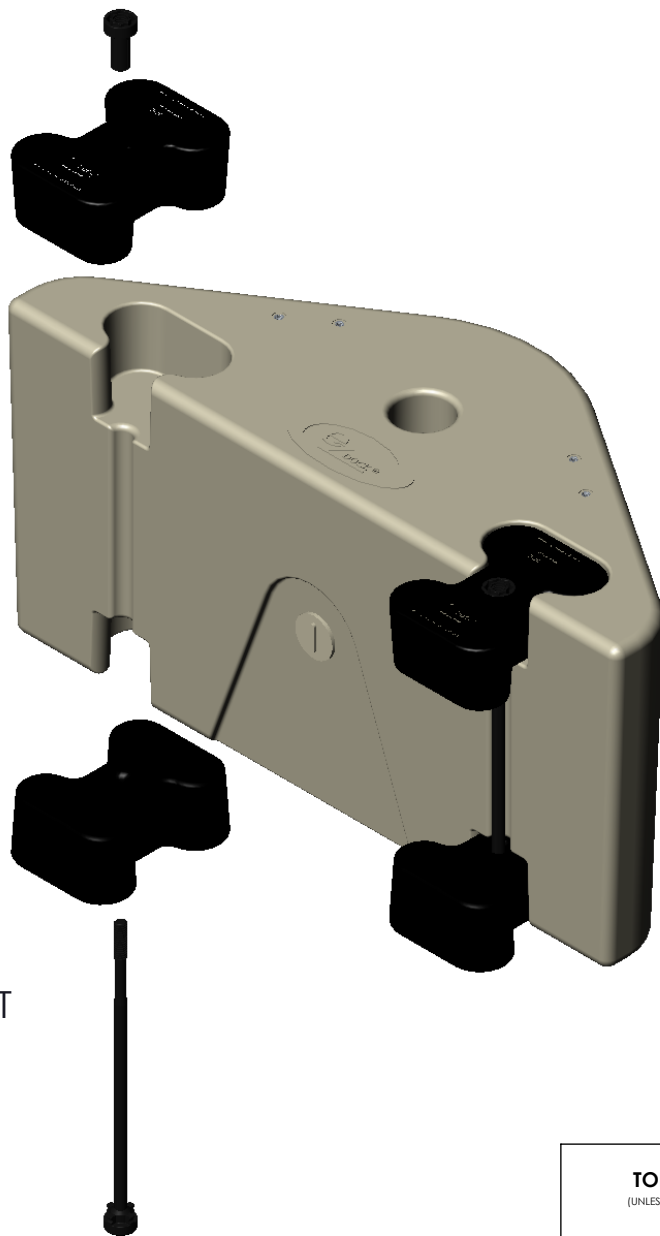
A

A

2


1

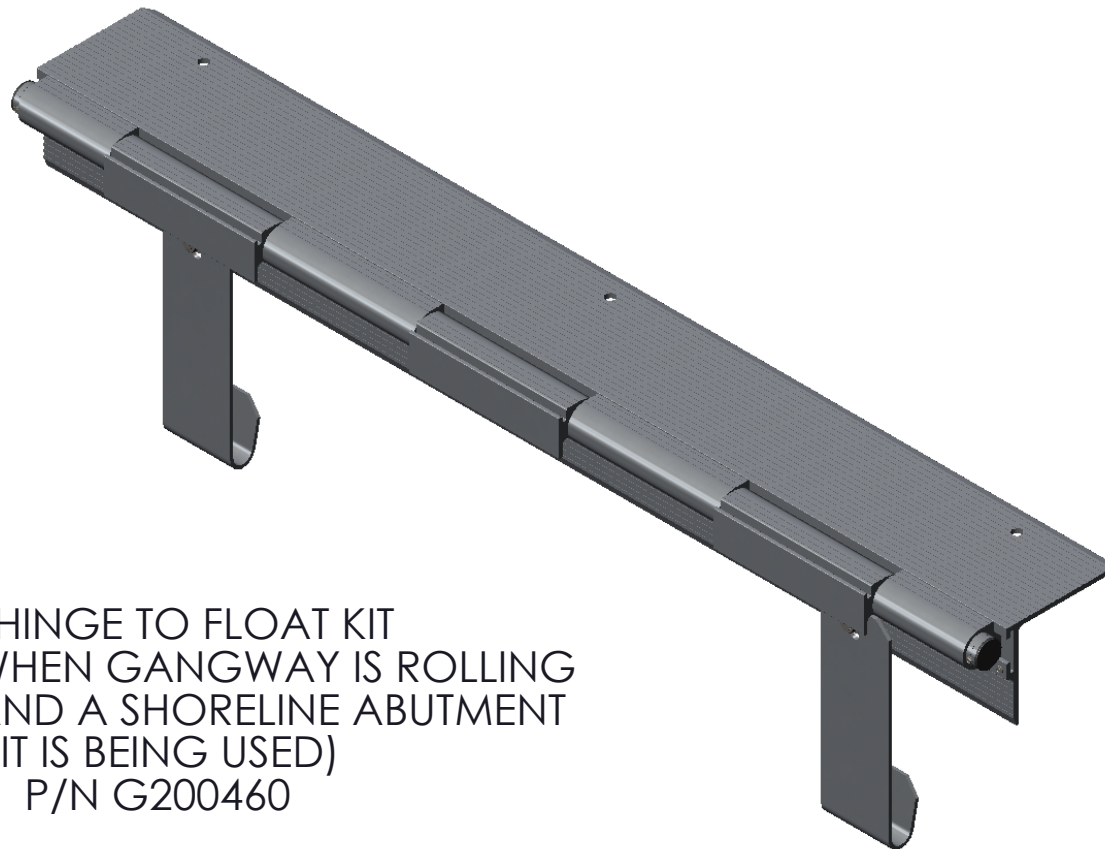




HEAVY-DUTY PIPE BRACKET
FOR 2-3/8" OD
GALVANIZED PIPE


NAME: 215250 REVISION: A VERSION: CURRENT ECR: CURRENT ECR: RELEASE LEVEL:

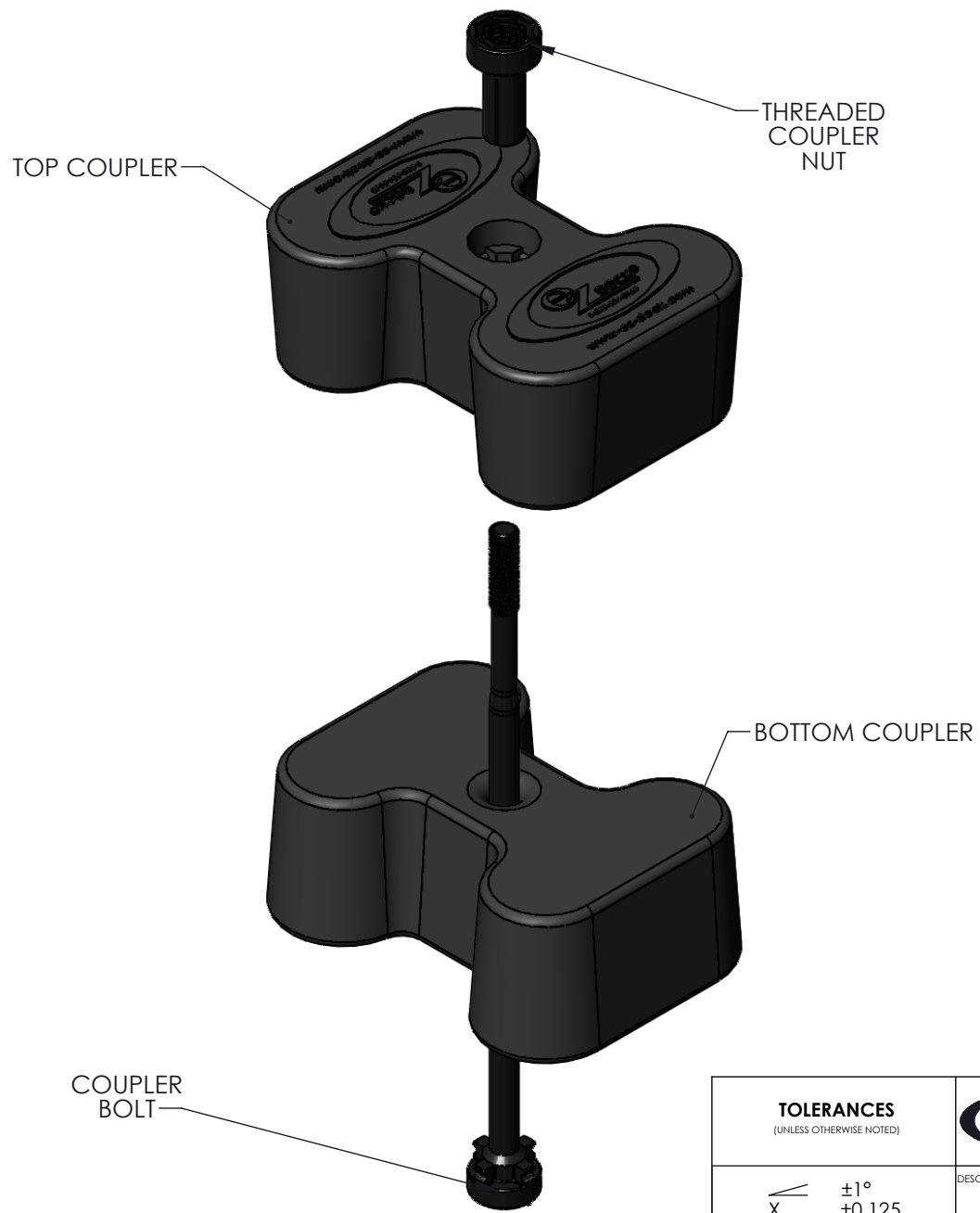
TOLERANCES <small>(UNLESS OTHERWISE NOTED)</small>		 EZ Dock, Inc. 878 E. Highway 60 1-888-654-8168 Monett, MO 65708 FX 1-417-235-2232	
\angle $\pm 1^\circ$ X ± 0.125 X/Y ± 0.063 X.XX ± 0.031 X.XXX ± 0.016	DESCRIPTION PIPE BRACKET HD KIT ONE-PIECE 2.5"		WT. LBS.
ALL BENDS 90° ALL BEND RADII EQUAL TO MATERIAL GAUGE		DWN BY: CMT DATE: 11/12/12	CKD BY: DRI DATE: 11/12/12
RAW MAT'L: BLANK SIZE		FINISH:	SHEET: 1 OF 1 REV.
		PART NO. 215250 A	




60" HINGE TO FLOAT KIT
 (NOT USED WHEN GANGWAY IS ROLLING
 ON DOCK AND A SHORELINE ABUTMENT
 KIT IS BEING USED)
 P/N G200460

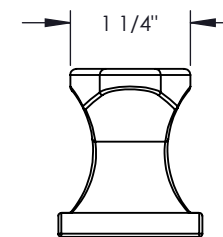
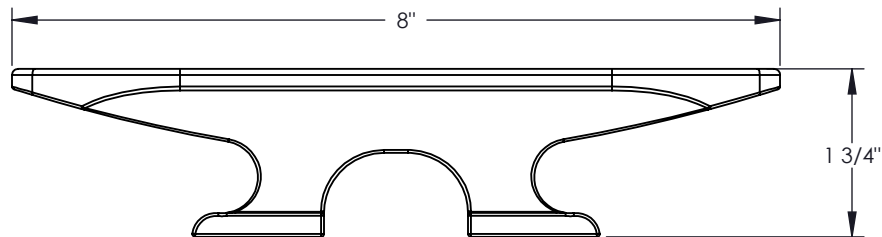
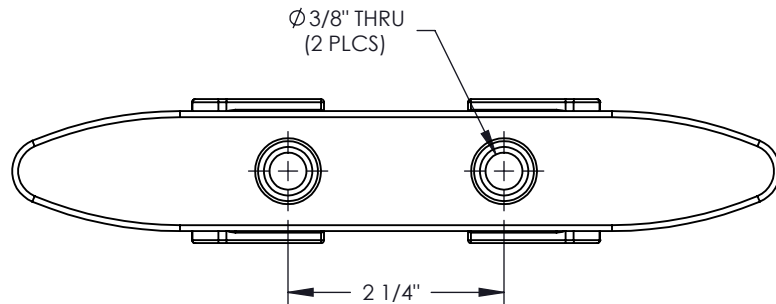
NAME G200460
 REVISION A
 VERSION
 CURRENT ECR
 CURRENT ECR
 RELEASE LEVEL

TOLERANCES <small>(UNLESS OTHERWISE NOTED)</small>		 EZ Dock, Inc. 878 E. Highway 60 1-888-654-8168 Monett, MO 65708 FX 1-417-235-2232	
\angle $\pm 1^\circ$ X ± 0.125 X/Y ± 0.063 X.XX ± 0.031 X.XXX ± 0.016	DESCRIPTION 60" HINGE TO FLOAT KIT FOR EZ DOCK ALUM GANGWAY SYSTEM	WT. LBS. 38.8	
ALL BENDS 90° ALL BEND RADII EQUAL TO MATERIAL GAUGE	RAW MAT'L: BLANK SIZE	DWN BY: AHS DATE: 12/13/10	CKD BY: DRI DATE: 6/18/10 SHEET: 1 OF 1
		PART NO. G200460	REV. A




NAME 301100
 REVISION
 VERSION
 CURRENT ECR
 CURRENT ECR
 RELEASE LEVEL

TOLERANCES (UNLESS OTHERWISE NOTED)		 EZ Dock, Inc. 878 E. Highway 60 1-888-654-8168 Monett, MO 65708 FX 1-417-235-2232	
\angle $\pm 1^\circ$ X ± 0.125 X/Y ± 0.063 X.XX ± 0.031 X.XXX ± 0.016	DESCRIPTION COUPLER SET		WT LBS. 9.7
ALL BENDS 90° ALL BEND RADII EQUAL TO MATERIAL GAUGE		DWN BY: CMS DATE:	CKD BY: DATE:
RAW MAT'L: BLANK SIZE		FINISH	SHEET: 1 OF 1
		PART NO.	301100



NAME: 300100
 REVISION:
 VERSION:
 CURRENT ECF: CURRENT ECF
 RELEASE LEVEL:

TOLERANCES <small>(UNLESS OTHERWISE NOTED)</small>		 EZ Dock, Inc. 878 E. Highway 60 Monett, MO 65708		1-888-654-8168 FX 1-417-235-2232
/ ±1° X ±0.125 X/Y ±0.063 X.XX ±0.031 X.XXX ±0.016	DESCRIPTION 8" TIE-UP CLEAT			WT LBS. 1.9
ALL BENDS 90° ALL BEND RADII EQUAL TO MATERIAL GAUGE		MATL: FINISH:	DWN BY: DATE:	CKD BY: DATE:
RAW MAT'L: BLANK SIZE		PART NO.		SHEET: 1 OF 1 REV.
				300100



Estimate

816-260-5113

justin@ezdockofthegreatplains.com

4500 Carbine Drive Bismarck, ND 58504

Date	Estimate #
8/3/2022	4032

Name / Address	
Iowa DNR Storm Lake	
Dock Location	
Customer Phone	

Rep	P.O. No.

Item	Description	Qty	Rate	Total
	Storm Lake Pier 3			
206010	60" X 10' DOCK SECTION	45	1,916.15	86,226.75T
300503	TRI-DOCK	1	909.15	909.15T
204060	40" X 5' DOCK SECTION	13	863.55	11,226.15T
302060	UTILITY CHANNEL 5' X 20"	77	705.85	54,350.45T
302032	(2) END CAPS FOR 20' UTILITY CHANNEL & HIDE	2	91.00	182.00T
215250	PIPE BRACKET HD, KIT ONE-PIECE 2.5"	13	338.20	4,396.60T
121025	2-3/8" OD - 10 GAUGE X 21' L GALVANIZED PIPE	13	209.00	2,717.00T
D1RC2BK	2" ROUND PIPE CAP WITH FLAT TOP-BLACK	13	8.00	104.00T
301100	COUPLER SET W/ COMPOSITE ROD	184	64.60	11,886.40T
G200460	HINGE, ALUMINUM GANGWAY TO 60" FLOAT, KIT	1	482.62	482.62T
ADA516	ADA GANGWAY AL 5'x16' W/ HANDRAILS, BEIGE THRUFLOW DECK	1	6,593.00	6,593.00T
300100	8" NYLON TIE UP CLEATS	52	17.10	889.20T
	Pre-Subtotal			179,963.32
Freight	Freight / Delivery via GPL (2- Loads)		4,488.00	4,488.00
	Sales Tax		0.00%	0.00
			Total	\$184,451.32



Estimate

816-260-5113

justin@ezdockofthegreatplains.com

4500 Carbine Drive Bismarck, ND 58504

Date	Estimate #
7/20/2022	3981

Name / Address	
Iowa DNR Storm Lake	
Dock Location	
Customer Phone	

Rep	P.O. No.

Item	Description	Qty	Rate	Total
	Storm Lake Pier 2			
206010	60" X 10' DOCK SECTION	54	1,916.15	103,472.10T
204060	40" X 5' DOCK SECTION	16	863.55	13,816.80T
302060	UTILITY CHANNEL 5' X 20"	88	705.85	62,114.80T
302032	(2) END CAPS FOR 20' UTILITY CHANNEL & HIDE	2	91.00	182.00T
215250	PIPE BRACKET HD, KIT ONE-PIECE 2.5"	16	338.20	5,411.20T
121025	2-3/8" OD - 10 GAUGE X 21' L GALVANIZED PIPE	16	209.00	3,344.00T
D1RC2BK	2" ROUND PIPE CAP WITH FLAT TOP-BLACK	16	8.00	128.00T
301100	COUPLER SET W/ COMPOSITE ROD	207	64.60	13,372.20T
G200460	HINGE, ALUMINUM GANGWAY TO 60" FLOAT, KIT	1	482.62	482.62T
ADA516	ADA GANGWAY AL 5'x16' W/ HANDRAILS, BEIGE THRUFLOW DECK	1	6,593.00	6,593.00T
300100	8" NYLON TIE UP CLEATS	64	17.10	1,094.40T
	Pre-Subtotal			210,011.12
Freight	Freight / Delivery via GPL (2 -Loads)		4,488.00	4,488.00
	Sales Tax		0.00%	0.00
			Total	\$214,499.12



Estimate

816-260-5113

justin@ezdockofthegreatplains.com

4500 Carbine Drive Bismarck, ND 58504

Date	Estimate #
8/3/2022	4033

Name / Address	
Iowa DNR Storm Lake	
Dock Location	
Customer Phone	

Rep	P.O. No.

Item	Description	Qty	Rate	Total
	Storm Lake Pier 1			
208010	80" X 10' DOCK SECTION	4	2,514.65	10,058.60T
206010	60" X 10' DOCK SECTION	41	1,916.15	78,562.15T
300503	TRI-DOCK	1	909.15	909.15T
204060	40" X 5' DOCK SECTION	15	863.55	12,953.25T
302060	UTILITY CHANNEL 5' X 20"	77	705.85	54,350.45T
302032	(2) END CAPS FOR 20' UTILITY CHANNEL & HIDE	2	91.00	182.00T
215250	PIPE BRACKET HD, KIT ONE-PIECE 2.5"	13	338.20	4,396.60T
121025	2-3/8" OD - 10 GAUGE X 21' L GALVANIZED PIPE	13	209.00	2,717.00T
D1RC2BK	2" ROUND PIPE CAP WITH FLAT TOP-BLACK	13	8.00	104.00T
301100	COUPLER SET W/ COMPOSITE ROD	196	64.60	12,661.60T
G200460	HINGE, ALUMINUM GANGWAY TO 60" FLOAT, KIT	1	482.62	482.62T
ADA516	ADA GANGWAY AL 5'x16' W/ HANDRAILS, BEIGE THRUFLOW DECK	1	6,593.00	6,593.00T
300100	8" NYLON TIE UP CLEATS	52	17.10	889.20T
	Pre-Subtotal			184,859.62
Freight	Freight / Delivery via GPL (2- Loads)		4,488.00	4,488.00
	Sales Tax		0.00%	0.00
			Total	\$189,347.62



816-260-5113

justin@ezdockofthegreatplains.com

4500 Carbine Drive Bismarck, ND 58504

Estimate

Date	Estimate #
8/3/2022	4035

Name / Address	
Iowa DNR Storm Lake	
Dock Location	
Customer Phone	

Rep	P.O. No.

Item	Description	Qty	Rate	Total
	Iowa DNR Storm Lake Dock Proposal Total Cost			
Custom	Storm Lake Pier 3	1	184,451.32	184,451.32T
Custom	Storm Lake Pier 2	1	214,499.12	214,499.12T
Custom	Storm Lake Pier 1	1	189,347.62	189,347.62T
	Pre-Subtotal			588,298.06
Discount	Project Discount		-15.00%	-88,244.71
	Sales Tax		0.00%	0.00
			Total	\$500,053.35